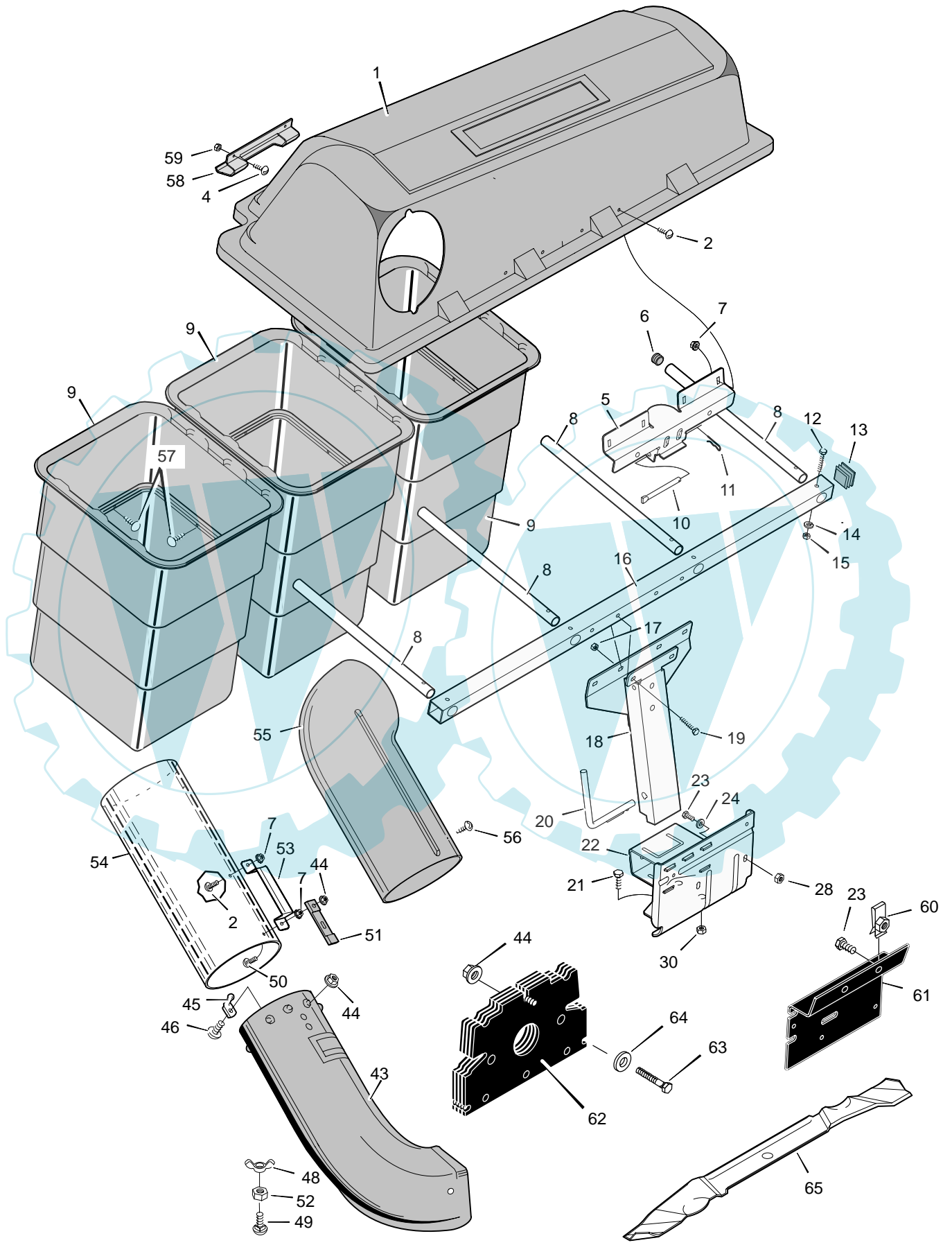


24767x50B



24767x50B

| Key No. | Description | Part No. | Key No. | Description | Part No. |
|---------|------------------------|------------|---------|------------------------|------------|
| 1 | Cover, Bagger | 054750 | 30 | Nut, Hex | 015x41 |
| 2 | Screw | 004x24 | 43 | Extension, Chute | 054774 |
| 4 | Screw | 004x21 | 44 | Locknut, Flange | 015x89 |
| 5 | Hinge, Bracket | 054754E701 | 45 | Pin, Latch | 054563 |
| 6 | Plug | 054776 | 46 | Bolt, Carriage | 002x39 |
| 7 | Nut, Hex | 015x66 | 48 | Wingnut | 014x86 |
| 8 | Tube, Container | 054753E701 | 49 | Bolt, Carriage | 002x74 |
| 9 | Container | 054752 | 50 | Screw | 004x71 |
| 10 | Pin, Cover Hinge | 054407 Z | 51 | Latch, Rubber | 054695 |
| 11 | Pin, Hair | 0031x6 | 52 | Nut | 15x109 |
| 12 | Bolt | 001x98 | 53 | Handle, Connector Tube | 054416 Z |
| 13 | Plug | 054777 | 54 | Tube, Connecting | 054778 |
| 14 | Lockwasher | 018x15 | 55 | Elbow | 091944 |
| 15 | Nut | 0015x2 | 56 | Screw | 26x239 |
| 16 | Tube, Support | 054761E701 | 57 | Fastener, Panel | 0193x1 |
| 17 | Nut | 15x118 | 58 | Handle, Plastic | 054537 |
| 18 | Assembly, Channel | 054757E701 | 59 | Nut, Hex | 015x81 |
| 19 | Bolt | 01x138 | 60 | U-Nut | 028x69 |
| 20 | Pin, Channel Mount | 054408 Z | 61 | Bracket, Adapter | 054758E701 |
| 21 | Bolt, Hex | 01x125 | 62 | Weight, Front | 690370E701 |
| 22 | Assembly, Bagger Mount | 094690E701 | 63 | Bolt | 01x152 |
| 23 | Bolt, Hex | 01x141 | 64 | Washer | 017x38 |
| 24 | Washer | 010851 Z | 65 | Blade, Hi-Lift (117cm) | 056631E701 |
| 28 | Nut, Super Flange | 15x108 | — | Book, Instruction | F-040902L |